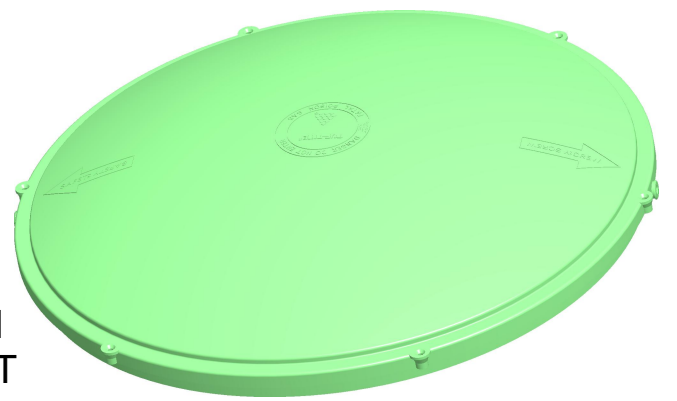
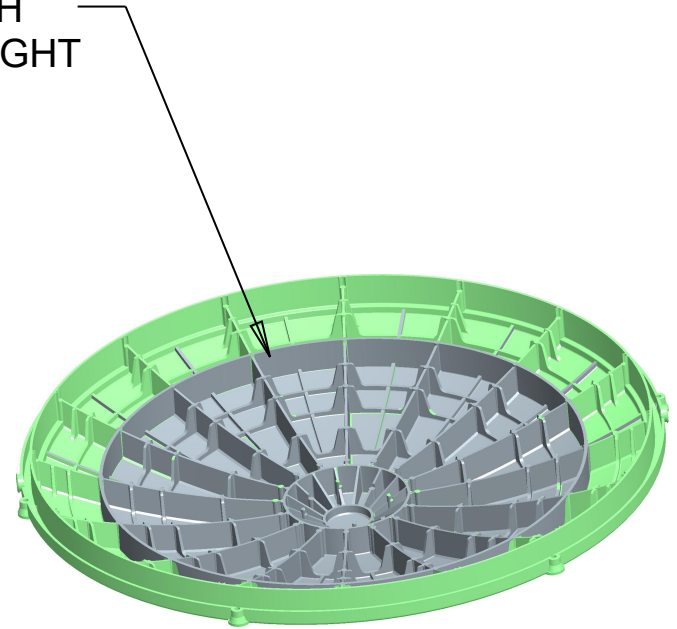
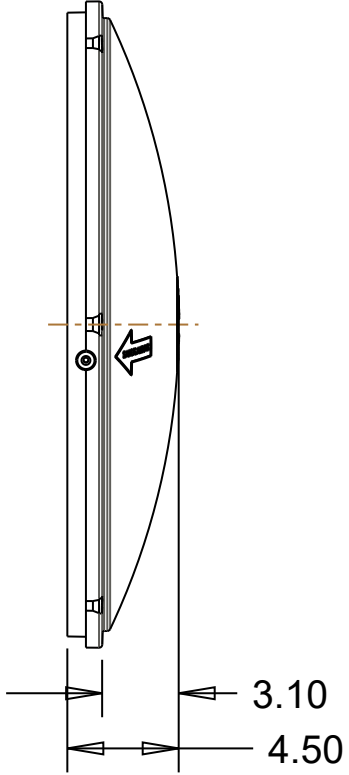
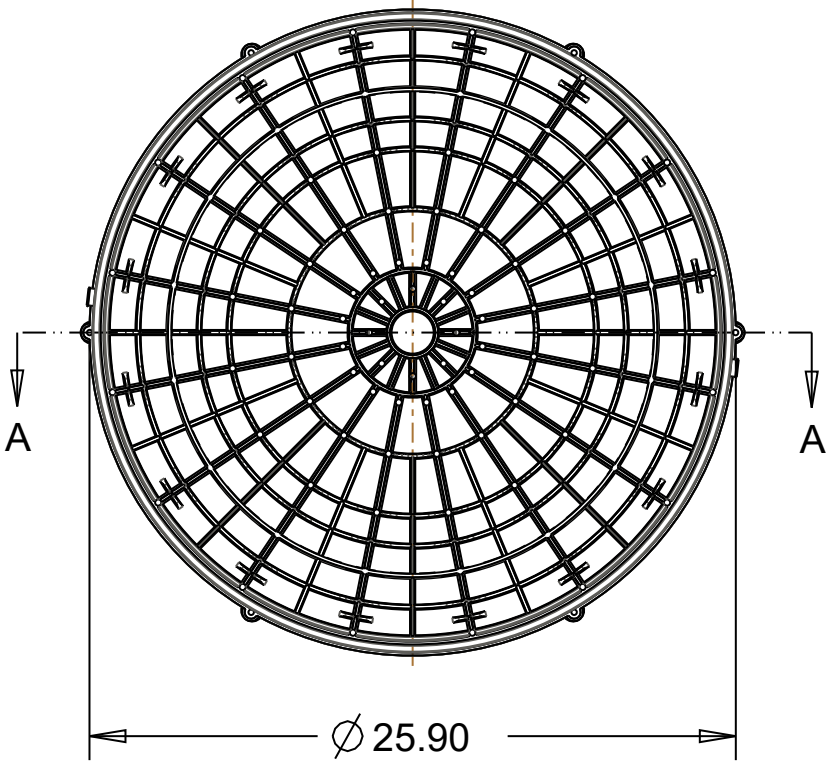


SECTION A-A

PERMANENT FOAMED-IN POLYURETHANE GASKET



THIS AREA MAY BE FILLED WITH CONCRETE FOR ADDITIONAL WEIGHT



Material: Copolymer Polypropylene
Color: Green



Drainage and Septic Products



DRAINAGE SOLUTIONS, INC.

(317) 346-4110
www.drainagesolutionsinc.com

PART NAME:
24" RISER LID

PART #:
24 - RISL - GREEN