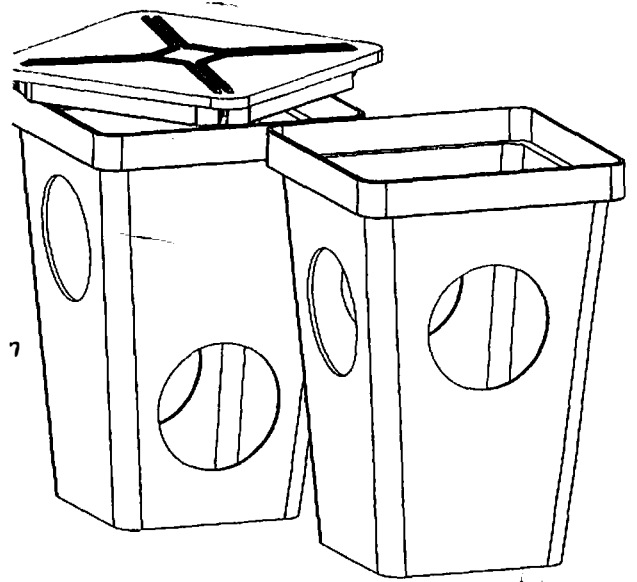
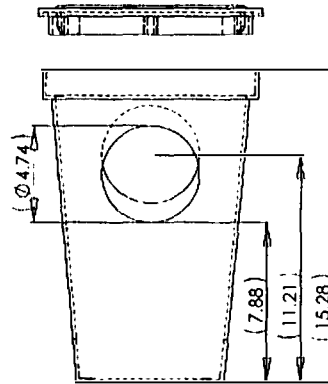
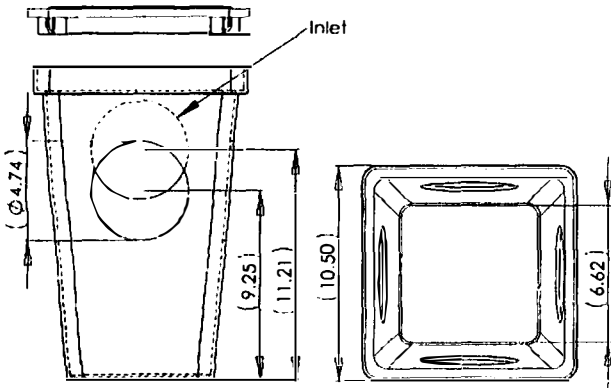




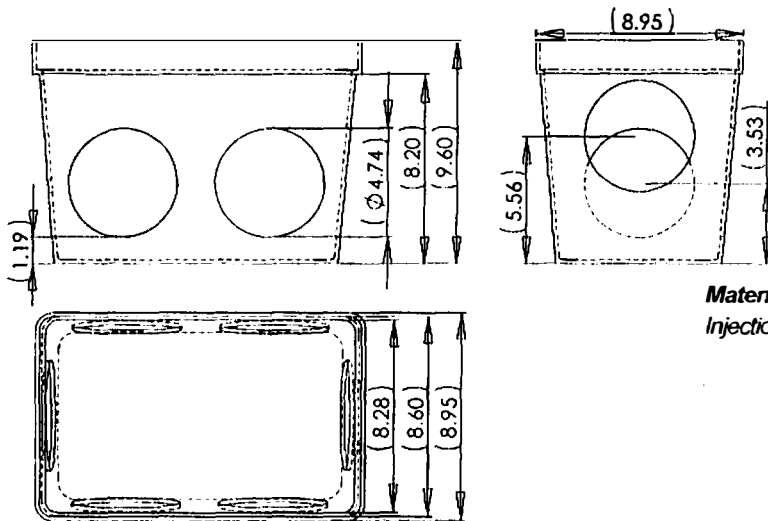
(317) 346-4110
 www.drainagesolutionsinc.com



4HD2



6HD2



Materials:
 Injection molded high density polyethylene plastic