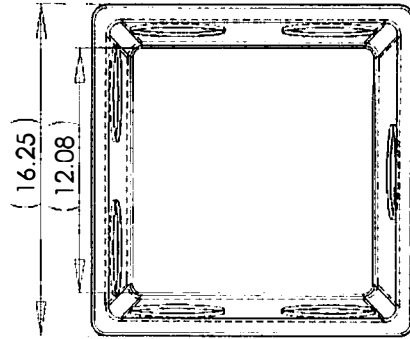
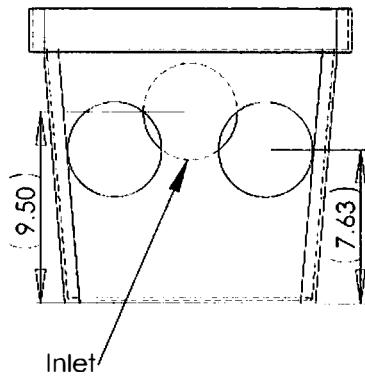
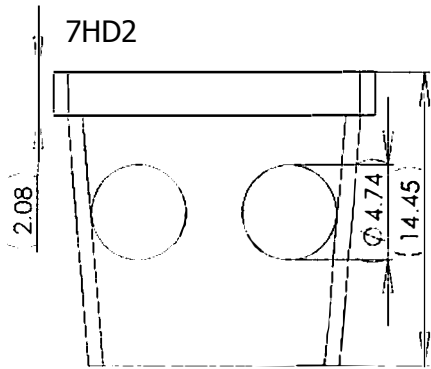
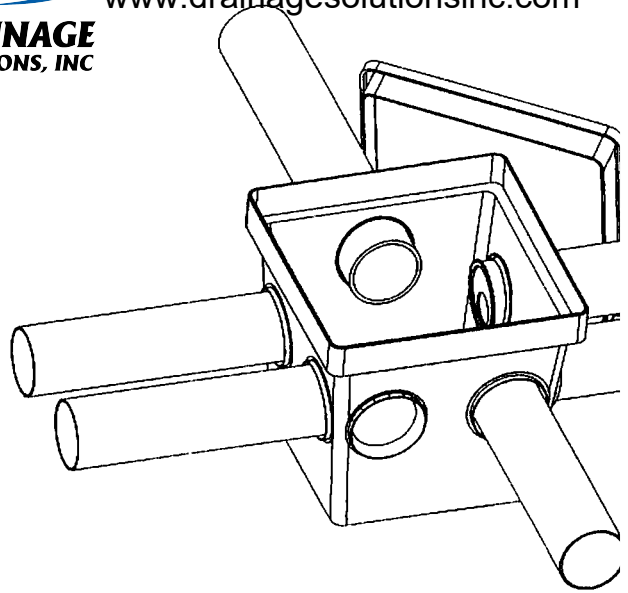


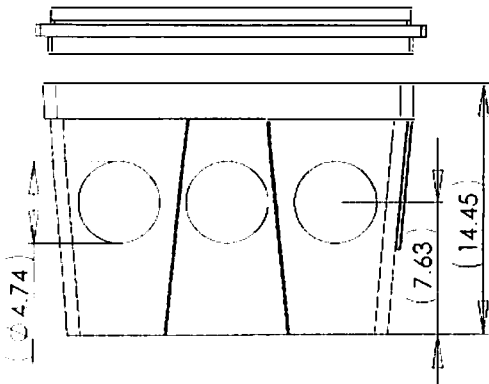


(317) 346-4110  
www.drainagesolutionsinc.com

**DRAINAGE**  
SOLUTIONS, INC



9HD2



**Materials:**  
*Injection molded high density polyethylene plastic*

