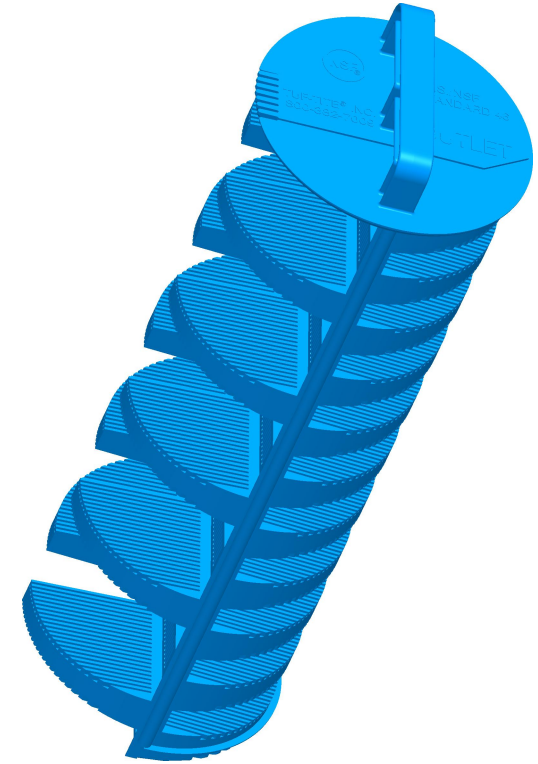
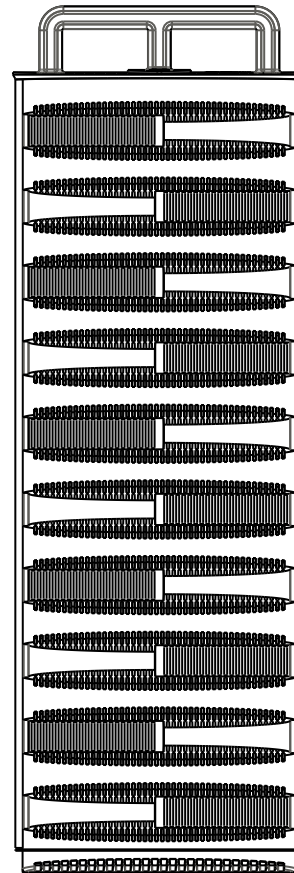
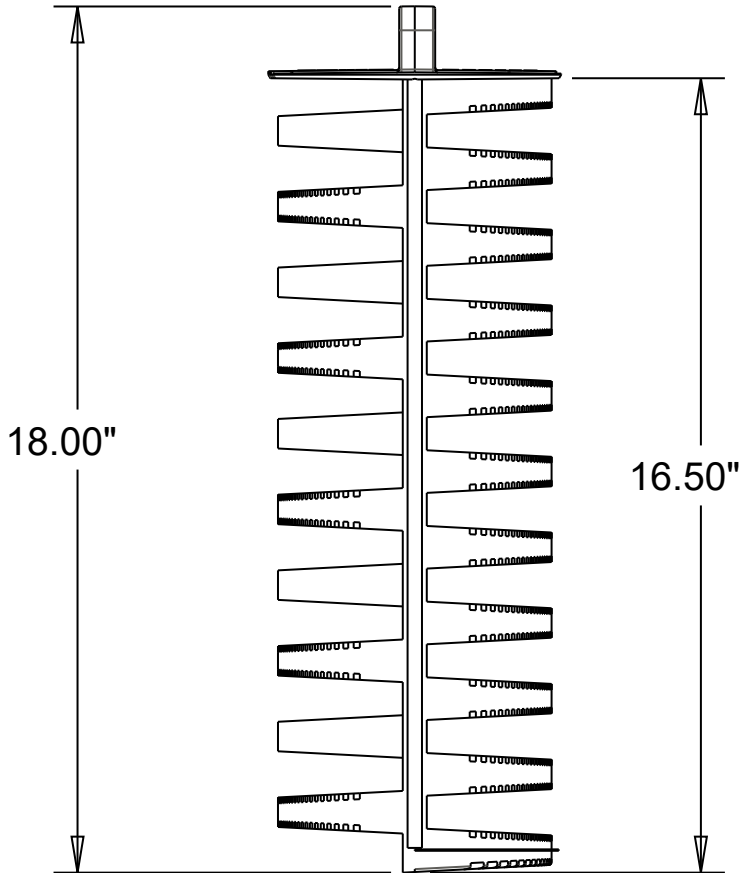


Ø 6.00"



**Material: High-Impact Polypropylene**  
**Color: Blue**



**Drainage and Septic Products**



**DRAINAGE SOLUTIONS, INC**

(317) 346-4110

[www.drainagesolutionsinc.com](http://www.drainagesolutionsinc.com)

**PART NAME:**

**6" EFFLUENT FILTER**

**PART #:**

**EF-6**