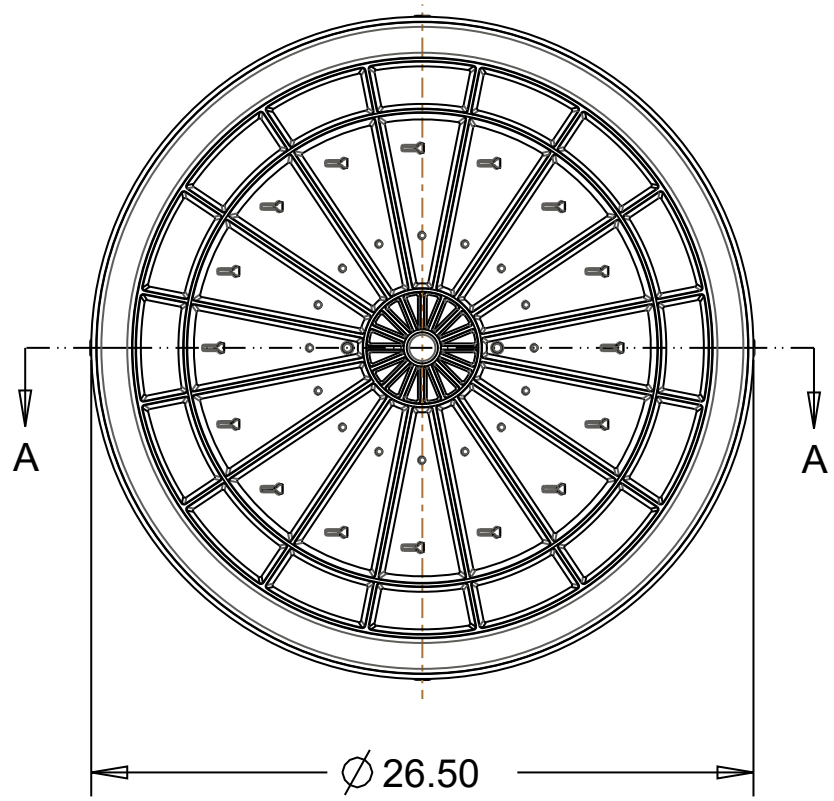
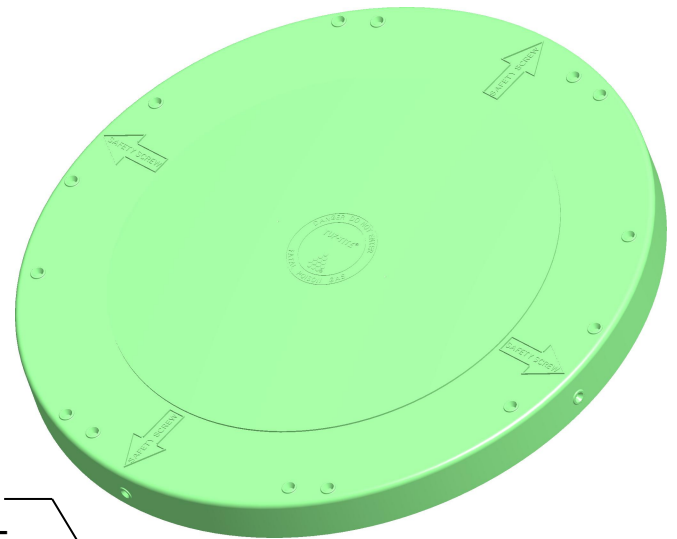


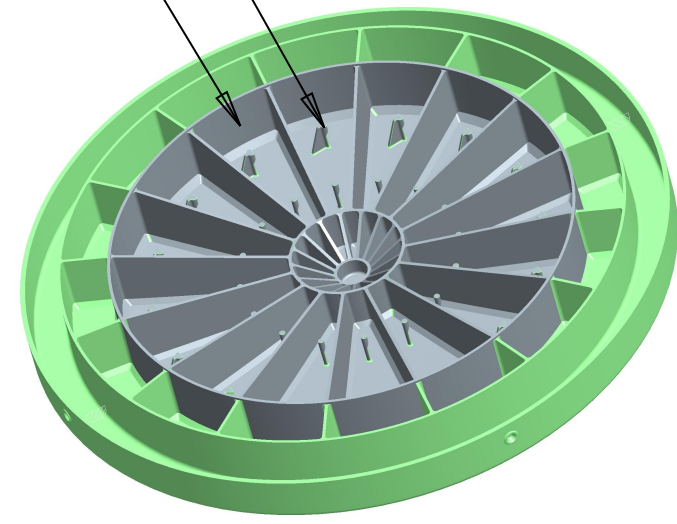
SECTION A-A

PERMANENT FOAMED-IN POLYURETHANE GASKET

THIS AREA MAY BE FILLED WITH CONCRETE FOR ADDITIONAL WEIGHT



CONCRETE KEEPER<sup>TM</sup>  
RETAINING HOOKS



Material: Copolymer Polypropylene  
Color: Green



Drainage and Septic Products



DRAINAGE SOLUTIONS, INC.

(317) 346-4110  
www.drainagesolutionsinc.com

PART NAME:  
24" FLAT LID

PART #:  
24 - FLAT